

**Piezo Transducer (Self Drive)**

**Model: XPTF2411-38T**

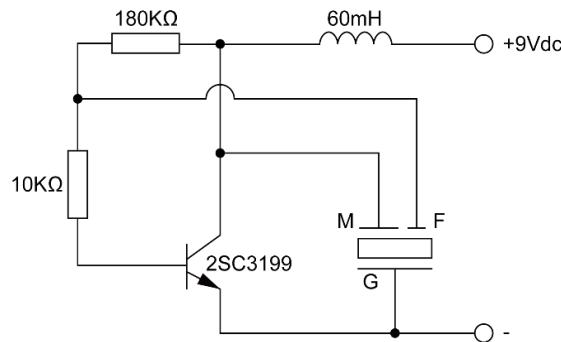


**ELECTRICAL SPECIFICATIONS**

	Condition	Parameter	Unit
Operating Voltage		3 ~ 27	Vdc
Rated Voltage		9	Vdc
Rated Current	at rated voltage, resonant freq.	Max. 9	mA
Resonant Frequency		3800	Hz
Sound Pressure Level	at 30cm, rated voltage, resonant freq.	Min. 80	dBA
Tone Nature		Single	
Terminal		Plate	
Operating Temperature		-20 ~ +70	°C
Housing Material		Nylon	
Weight		3	g

Notes: Parameter applying at recommend driving circuit.

**RECOMMENDED DRIVING CIRCUIT**



**MECHANICAL DRAWING**

Dimensions in mm

Tolerance ±0.5mm Except Specified

